

Bolt cable lug SCL-B

New bolt cable lugs for Kabeldon cable terminations.

Use

For indoor and outdoor connection of both copper and aluminium conductors. Fits Kabeldon cable terminations for 12–36 kV, type SOT, APIT and APSEA.

Standard

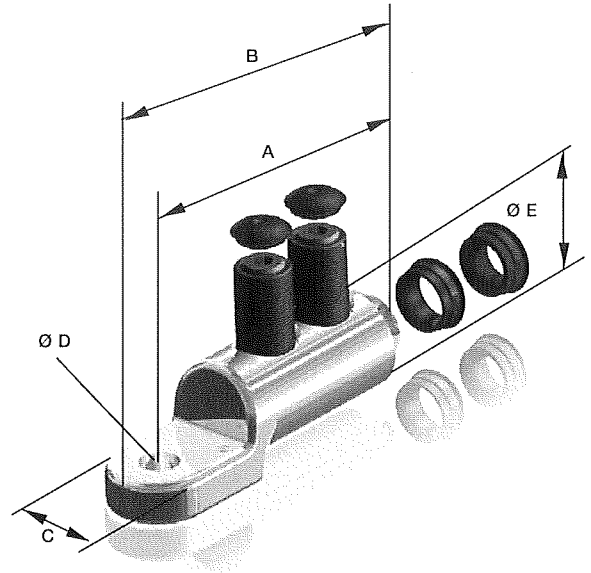
Meets the requirements of EN 61238-1.

Design

- The cable lug is manufactured in an aluminium alloy surface-treated with tin.
- Shear-off bolts are made of brass. Breaks off once the correct torque is reached. Thanks to its design, the bolts will always break off directly at the edge of the cable lug.

The kit also includes:

- Adapter rings for different conductor cross sections.
- Covers used as protection over bolts.



Discontinued products*:

- SKSA 95-13
- SKSA 300-13
- SKSB 70-12
- SKSB 150-12
- SKSB 240-12
- SKSB 400-16
- SKSB 630-16

* SKSA and SKSB will remain but only in complete cable terminations kits in which the connectors are included, such as Kabeldon SOT.

Designation	ID number	Conductor cross section Al / Cu			Dimensions					Weight kg/unit
		Stranded round	Solid round	Solid sector shaped	A	B	C	Ø D	Ø E	
		mm ²	mm ²	mm ²	mm	mm	mm	mm	mm	
SCL-B 95-12	2GPJ 42300002	10–95	10–95	50–95	58	70	24	13	24	0,10
SCL-B 150-12	2GPJ 42300003	25–150	25–150	35–120	74	91	28	13	28	0,25
SCL-B 240-12	2GPJ 42300004	50–240	50–240	50–185	115	100	33	13	33	0,30
SCL-B 300-16	2GPJ 42300005	95–300	95–400	95–240	101	120	38	16,5	38	0,35
SCL-B 630-16	2GPJ 42300006	300–630	300–800	–	165	180	50	16,5	50	0,90