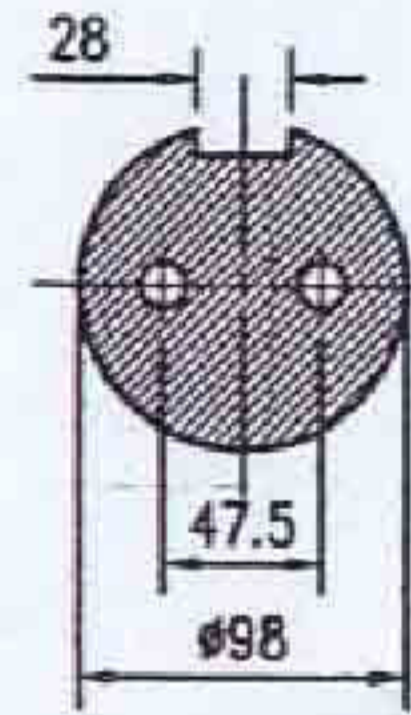
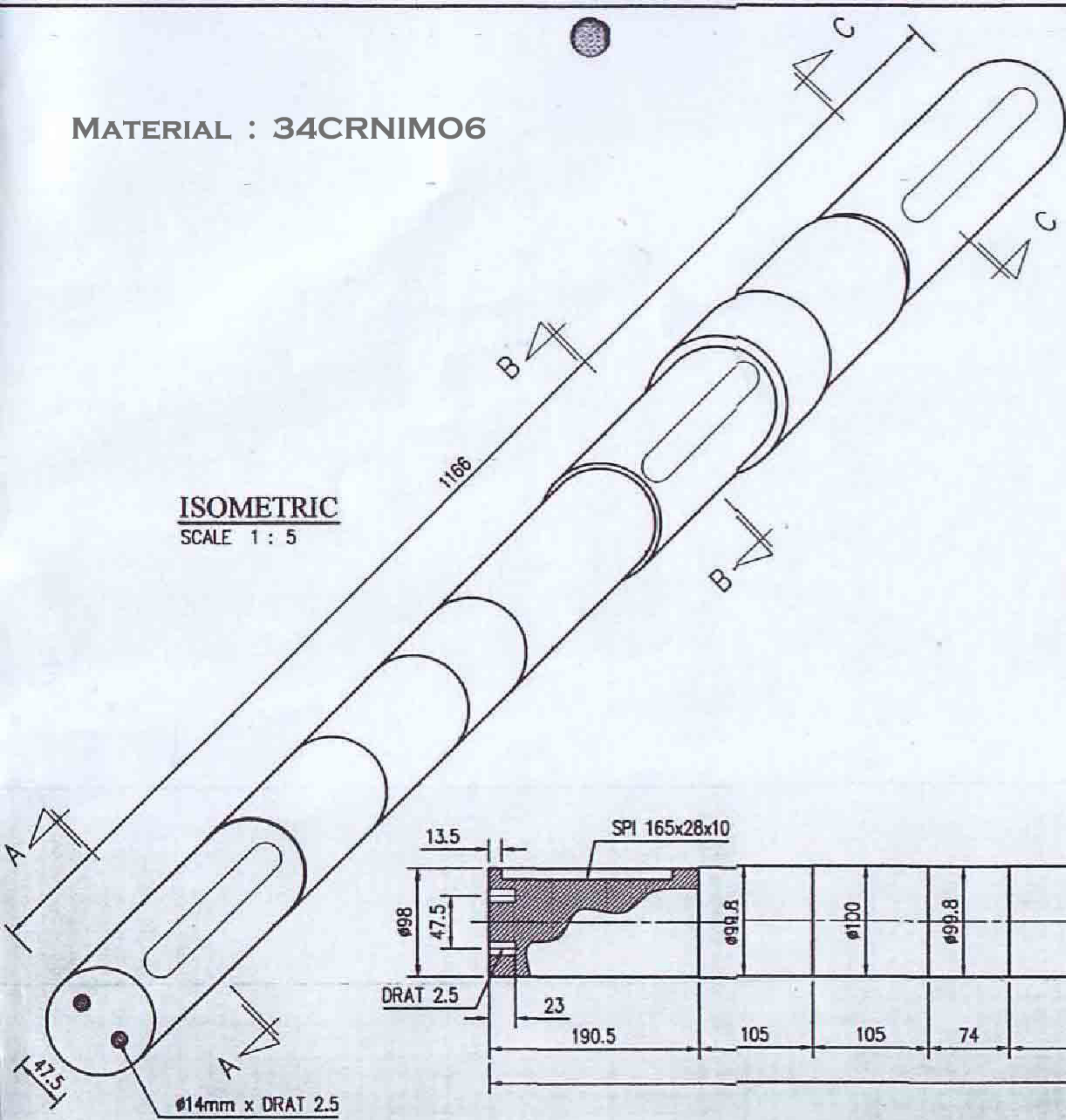
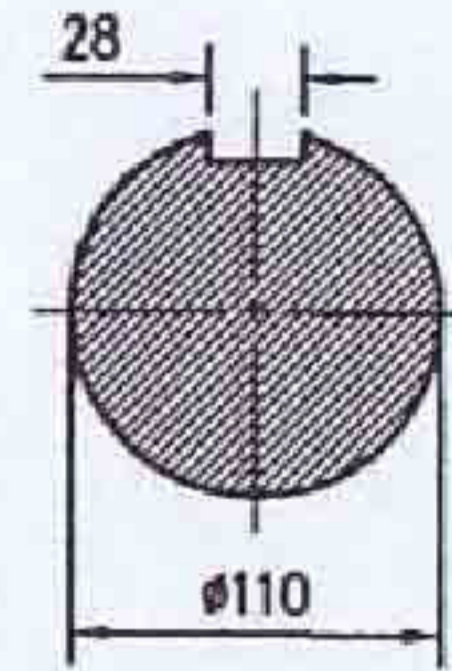


MATERIAL : 34CRNIMO6

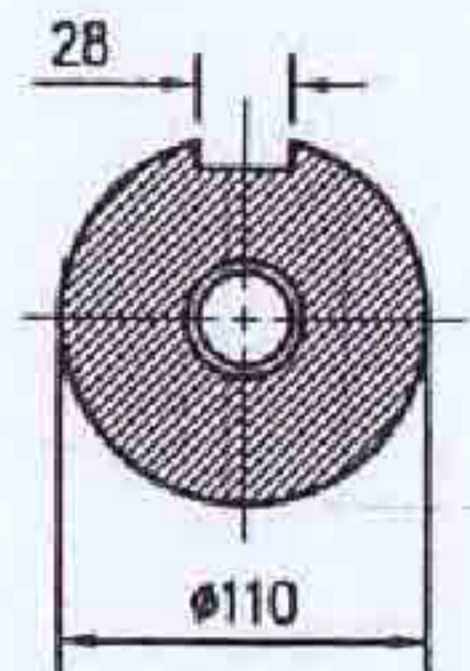
ISOMETRIC
SCALE 1 : 5



SECTION A - A
SCALE 1 : 5



SECTION B - B
SCALE 1 : 5



SECTION C - C
SCALE 1 : 5

