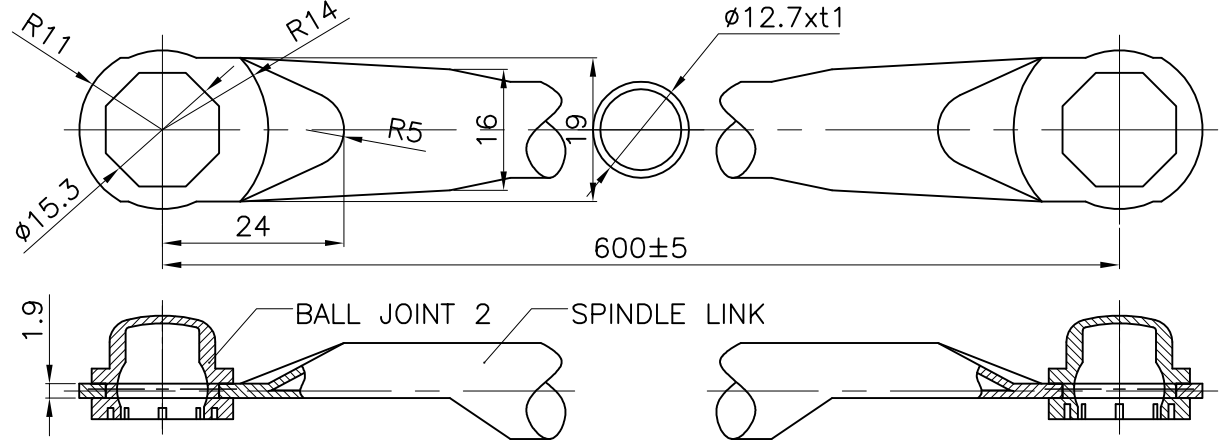
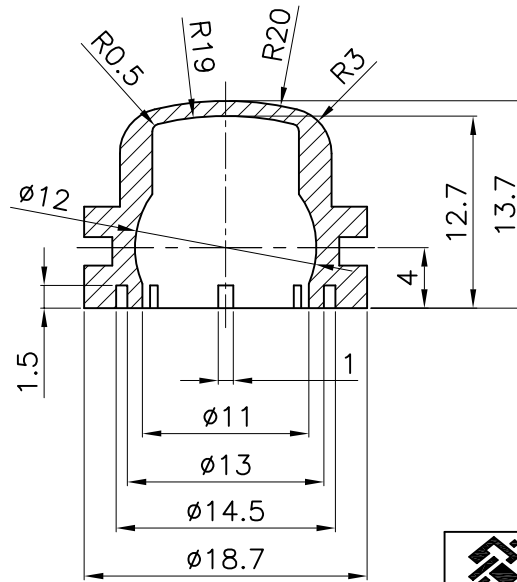
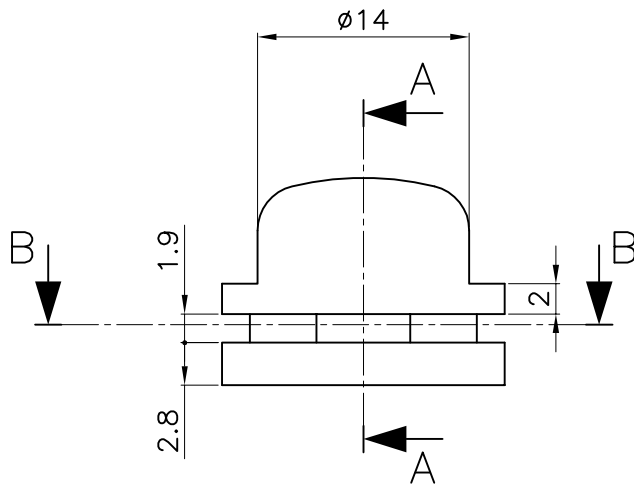


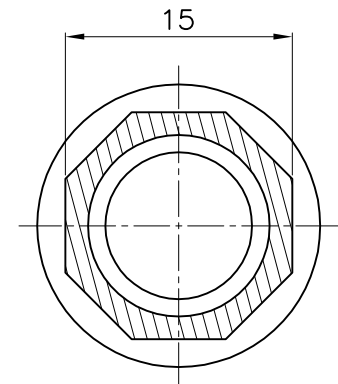
REVISION RECORD				
NO	DESCRIPTION	DATE	PREPARED	CHECKED
△				
△				
△				



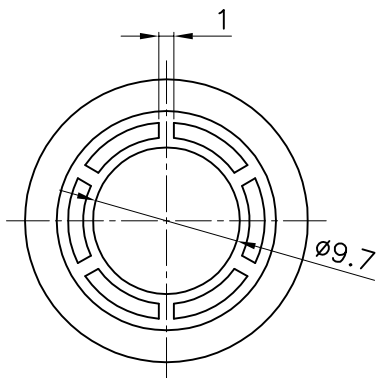
BALL JOINT 2 & SPINDLE LINK ASSY (1/1)



SECTION A-A



SECTION B-B



PT. SINARBERLIAN CHEMINDO					
DATE	PART WEIGHT	SCALE		CUSTOMER	
SEP 29, 2005		2 : 1		MODEL	FE-TD
MATERIAL	ACETAL	SHEET	1-1	PART NAME	BALL JOINT 2
SURF. TRT				PART NO.	WL2-15-I01
DRAWING	CHECKED	APPROVED		DRAWING NO.	1501/SBC/W/FE-TD/09/2005
HERI	YACOB Z.A.	SONNY S.		PROJECTION	3RD ANGLE
				UNIT	MM
				FORM	A4