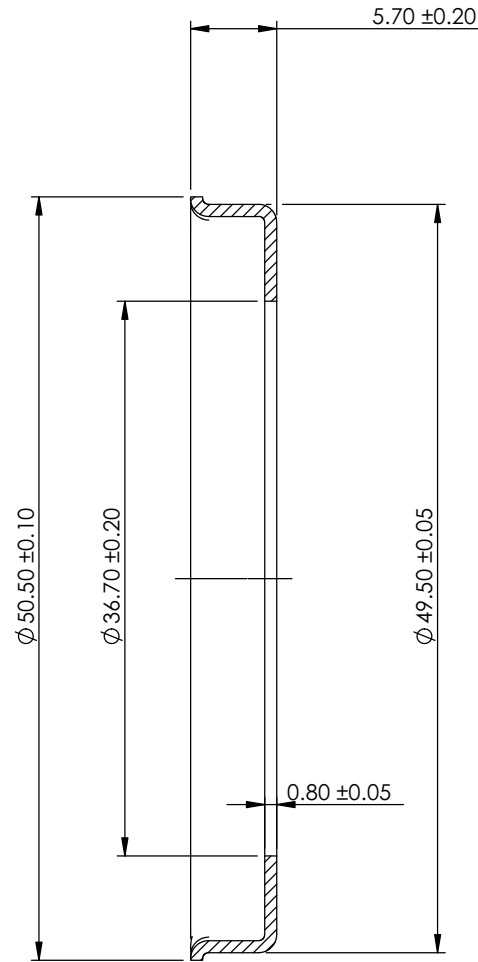
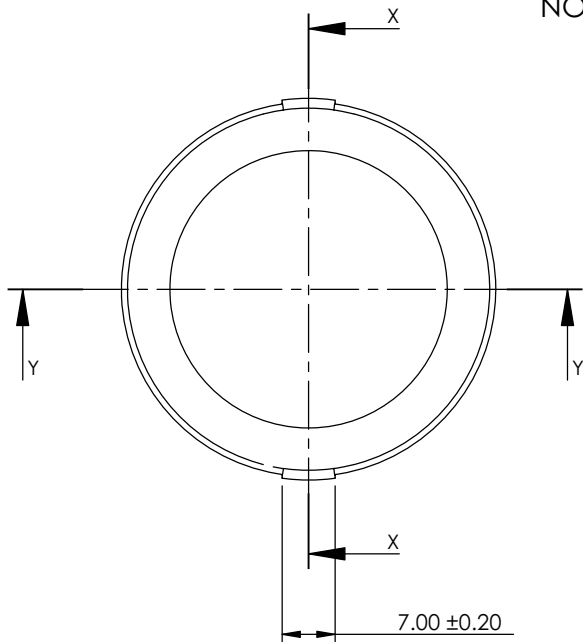
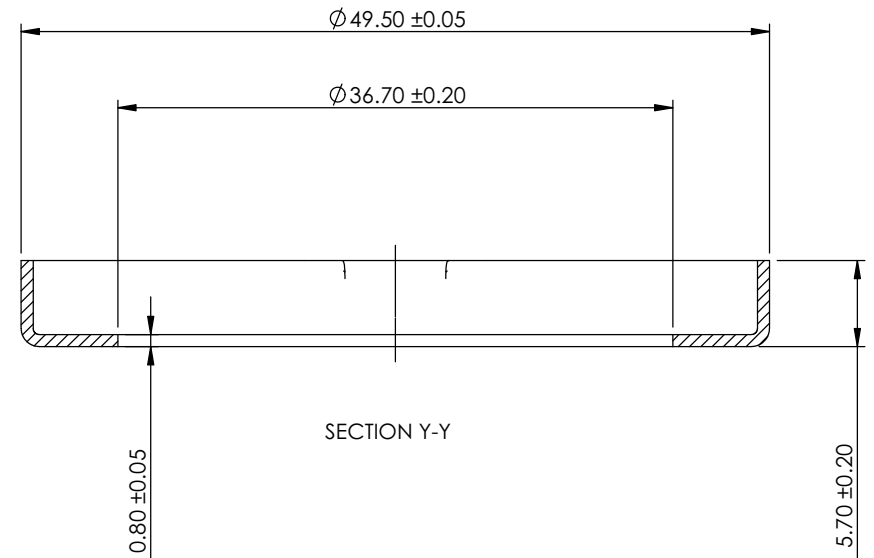


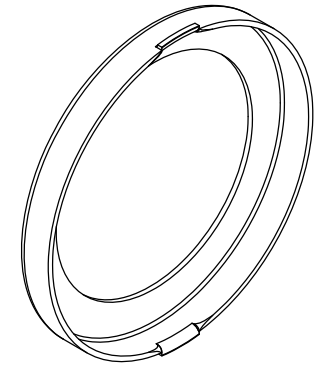
NOTE: THE PLATING ON THIS PART MUST NOT CONTAIN HEXAVALENT CHROMIUM Cr+6



SECTION X-X



SECTION Y-Y



BBD3564

REMOVE ALL BURRS AND SHARP EDGES UNLESS NOTED OTHERWISE
PARTS TO BE SUITABLY PACKAGED TO PREVENT CORROSION AND DAMAGE DURING TRANSIT



BLUE DIAMOND TECHNOLOGIES LTD.
Rotwey House, School Close, Chandlers Ford, Eastleigh
Hampshire SO53 4BY England
Tel: (023) 8025 8966 Fax: (023) 8025 8989
e-mail: bdsales@rotwey.com www.blue-diamond.co.uk

IF IN DOUBT ASK!



SCALE NTS
DRAWN MDH

MATERIAL SAE1008

FINISH ZINC&CLEAR PASSIVATE 5-10um - **MUST BE Cr+6 FREE FINISH!**

TOLERANCES (U.O.S.):-

±0.20

DATE 08-02-06
CHECKED
DATE

TITLE CASE
36.7*49.5/50.5*5.7

DRG. No.

BD237

ISSUE

1

SHEET

1

1 SK1

18-06-07
08-02-06

DRG. No WAS BBD3564, NOTE RE. Cr+6 ADDED ORIGINAL ISSUE

ISSUE

DATE

THIS DRAWING IS THE PROPERTY OF BLUE DIAMOND TECHNOLOGIES LTD AND MAY NOT BE COPIED OR REPRODUCED IN ANY WAY WITHOUT THE PRIOR WRITTEN PERMISSION OF THIS COMPANY.
© BLUE DIAMOND TECHNOLOGIES LIMITED, 2006

BECAUSE THE CONDITIONS OF PRODUCT USE VARY WIDELY AND ARE OUTSIDE BLUE DIAMOND TECHNOLOGIES' CONTROL, THE USER MUST EVALUATE AND DETERMINE TO HIS/HER OWN SATISFACTION IF THE PRODUCT IS SUITABLE FOR THE USER'S INTENDED APPLICATION. THIS DESIGN IS OFFERED IN ACCORDANCE WITH OUR TERMS AND CONDITIONS, ISSUE 3 DATED 25/11/2005. A COPY IS AVAILABLE ON REQUEST.