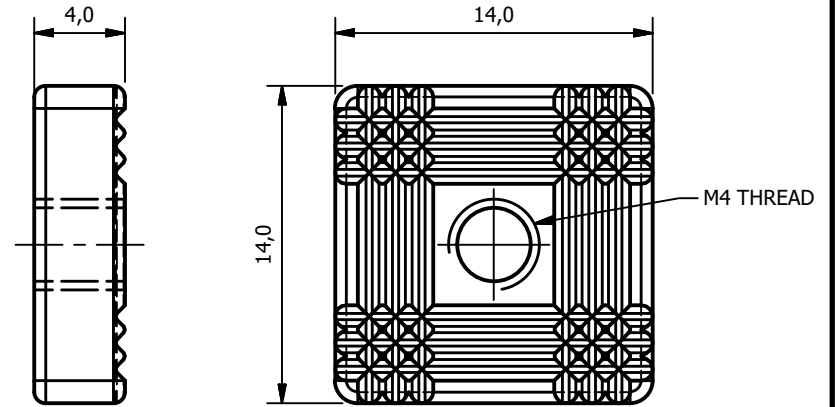
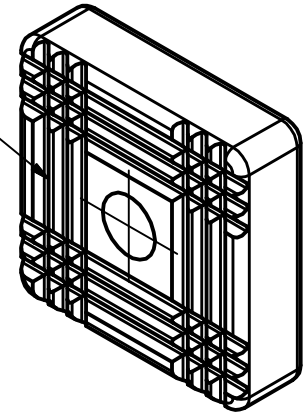


MOVEABLE TAB - PLAIN
 1 REQUIRED PER BOX
 STAINLESS STEEL



STAMP SURFACE WITH
 ROUGH KNURL LIKE
 SURFACE.
 KNURL SHOWN ON THIS
 DRAWING IS EXAMPLE ONLY.



**ALTERNATIVE
 MOVEABLE TAB - KNURLED**
 1 REQUIRED PER BOX
 STAINLESS STEEL

Designed by MWB	Checked by KMD	Approved by	Date	Date 7/14/2015	
BL Pty Ltd		F-G Channel Box - Radiused			
F-G Box Assembly			Edition A	Sheet 3 / 4	