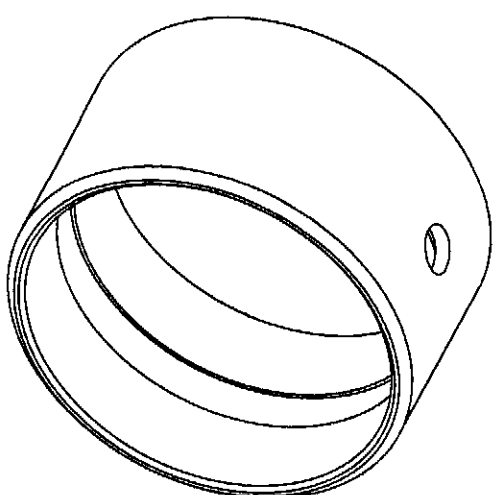
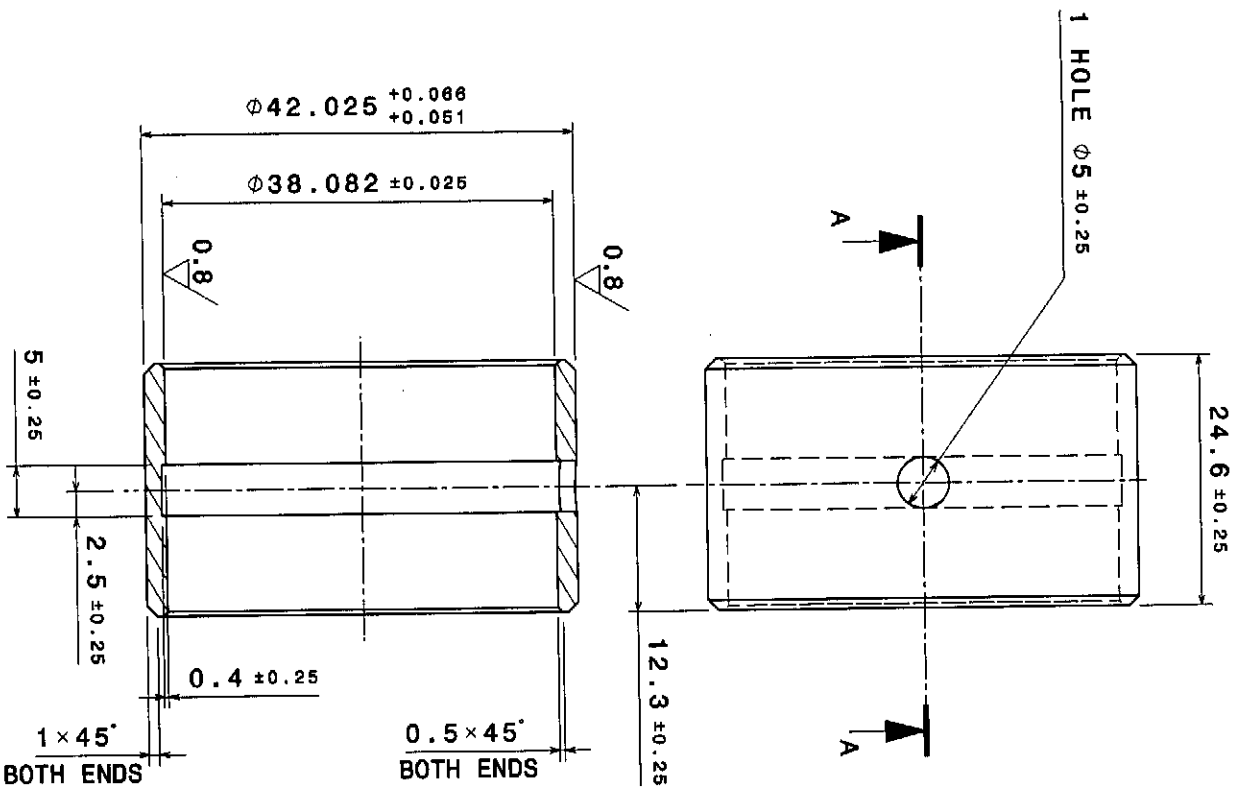


Rev	Description	Date	Approved
A	Stage IV Release	30-04-10	D. MITCHELL



ISOMETRIC VIEW

This drawing and the information contained herein is strictly confidential and is the copyright property of Assured Performance Group Ltd or its associated companies. It must not be copied, used, lent or otherwise communicated in entirety or in part without the express written permission of the copyright owner.

DRAWN BY	SVA	DATE
CHECKED BY	D. HOUGHTON	DATE
DESIGNED BY	D. HOUGHTON	DATE

DRAWING TITLE		BUSH	
SIZE	DRAWING NUMBER	REV	
A3	C886	A	
SCALE	2:1	WEIGHT (kg)	0.052
SHEET	1/1		

NOTE :- LIMITS & FITS H7-t6 ASSEMBLY  
MATERIAL :- PHOSPHOR BRONZE PB1

NEAR DIMENSIONS TO BE IN mm



1st ANGLE

Assured Performance Group LTD  
THE ASSURED GROUP