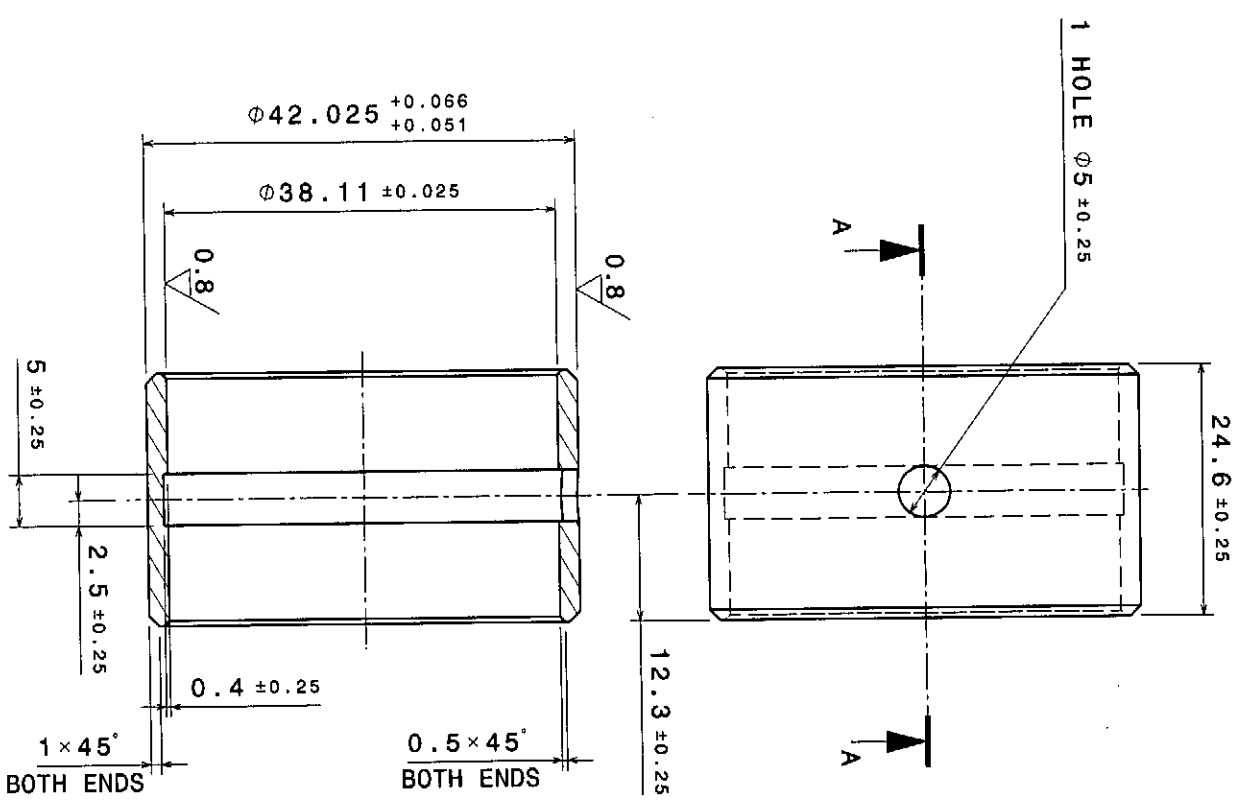


Rev	Description	Date	Approved
A	Stage IV Release	04-08-11	M.ZYGA



NOTE :- LIMITS & FITS H7-t6 ASSEMBLY
 MATERIAL :- PHOSPHOR BRONZE PB1

LINEAR DIMENSIONS TO BE IN mm

1st ANGLE	
DESIGNED BY	M. ZYGA
CHECKED BY	D. HOUGHTON
DRAWN BY	SVA
DATE	02/08/2011
DATE	04-08-11
DATE	04-08-11

This drawing and the information contained herein is strictly confidential and is the copyright property of Assured Performance Group Ltd or its associated companies. It must not be copied, used, lent or otherwise communicated in entirety or in part without the express written permission of the copyright owner.	
Assured Performance Group LTD	
DRAWING TITLE	
BUSH	
SIZE	DRAWING NUMBER
A3	C916
SCALE	WEIGHT(kg)
2:1	0.05
SHEET	REV
1/1	A