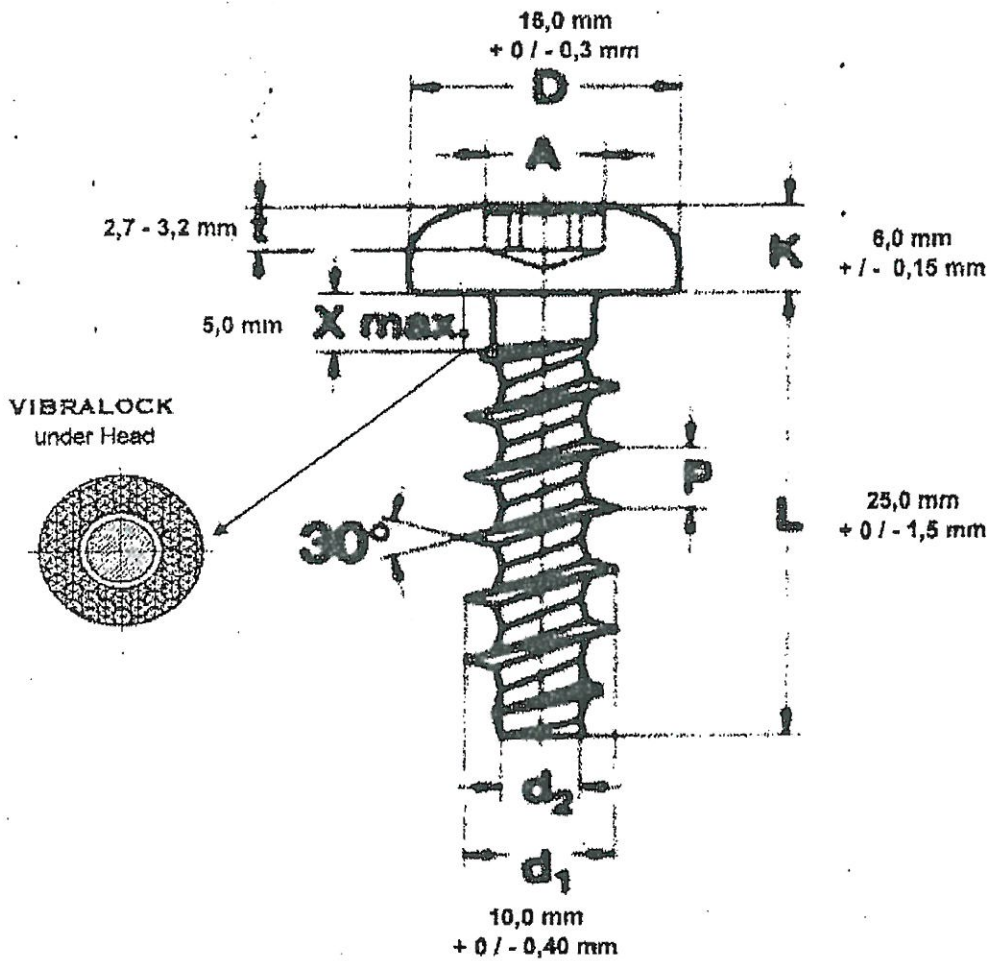


**K-PT SCREW TSB 10,0 X 25 MM**  
**ZINC YELLOW PASSIVATE**



**GENRICS SERVICES PINETOWN cc**  
 P.O. BOX 514, NEW GERMANY 3620  
 TEL.: (031) 700 5522  
 FAX.: (031) 700 5090

EQUIVALENT PART: WN 1452 K100x25