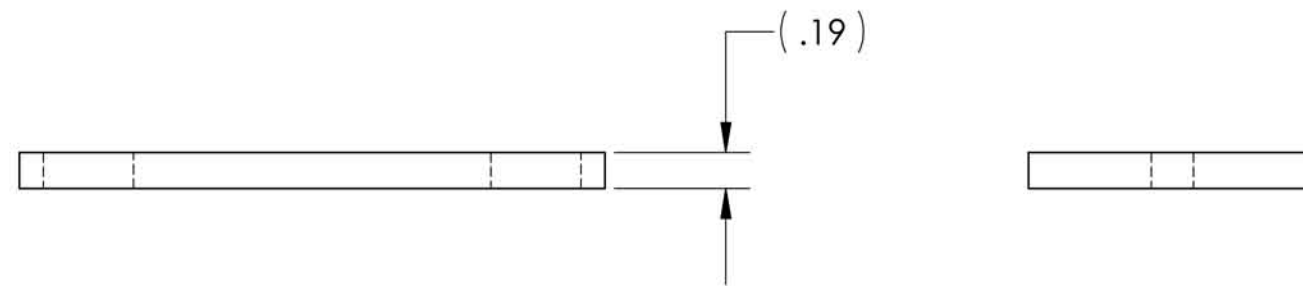
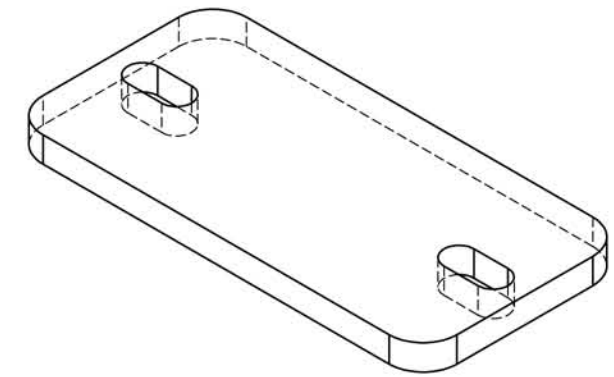



| REV. | DESCRIPTION | DATE | ECO # | BY | APRV'D |
|------|---|----------|-------|-----|--------|
| 0 | ORIGINATED | 06/03/09 | ---- | JEG | |
| 1 | UPDATED | 06/03/09 | | JEG | |
| 2 | LENGTHENED PART | 06/22/09 | 7516 | JEG | |
| 3 | CHANGED FINISH TO BLACK ZINC, CHANGE MATERIAL TO CRS | 08/20/09 | 7536 | JAP | |
| 4 | ADDED MISSING RADIUS DIMENSION | 09/21/09 | 7562 | JAP | |
| 5 | CHANGED DIMS FROM 3 PLACE TO 2 PLACE | 11/04/09 | 7588 | JHB | |



- NOTES:
1. FINISH: BLACK ZINC (triangle 3)
 2. REMOVE ALL BURRS, BREAK ALL SHARP EDGES.

| | | | | | |
|--|---------------------|---------------------------|---|---|--------------|
| UNLESS OTHERWISE SPECIFIED DIMENSIONS ARE IN INCHES TOLERANCE ARE: | | DO NOT SCALE THIS DRAWING | |  10895 NW 50TH STREET SUNRISE FL 33351 PHONE: 954-746-0547 FAX: 954-746-3001 | |
| DECIMALS .XX ± .01 .XXX ± .005 | FRACTIONS ± 1/64 | ANGLES ± 0°30' | DRAWN J. GRAVEL | TITLE CLAMP | |
| REMOVE BURRS & SHARP EDGES | | | DATE 06/03/09 | APPROVED | |
| ALL MACHINED SURFACES \checkmark 63 | | | DATE | DATE | |
| MATERIAL .19 THK. CRS | | | PROPRIETARY AND CONFIDENTIAL THE INFORMATION CONTAINED IN THIS DRAWING IS THE SOLE PROPERTY OF J&L INDUSTRIES INC. ANY REPRODUCTION IN PART OR AS A WHOLE WITHOUT THE WRITTEN PERMISSION OF J&L INDUSTRIES INC IS PROHIBITED | | |
| FINISH SEE NOTES | | | SIZE B | DRAWING NUMBER dci124818 | REV. 5 |
| | | | SCALE: 1:1 | | SHEET 1 OF 1 |