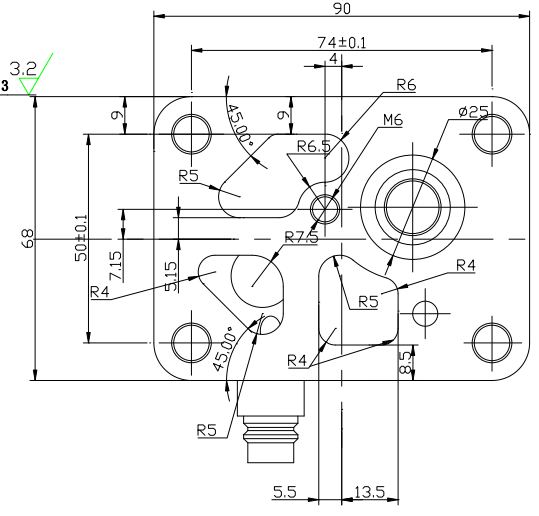
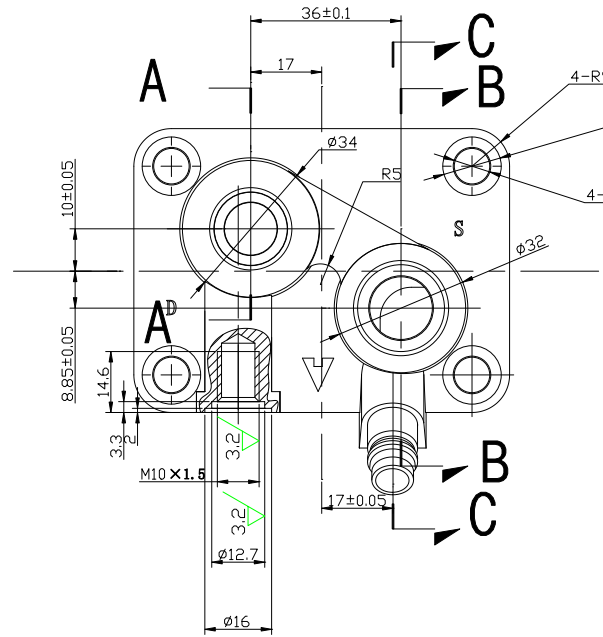
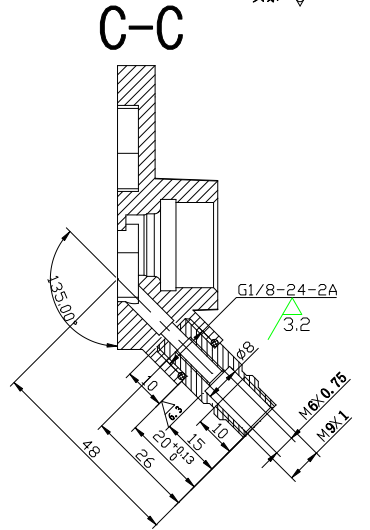
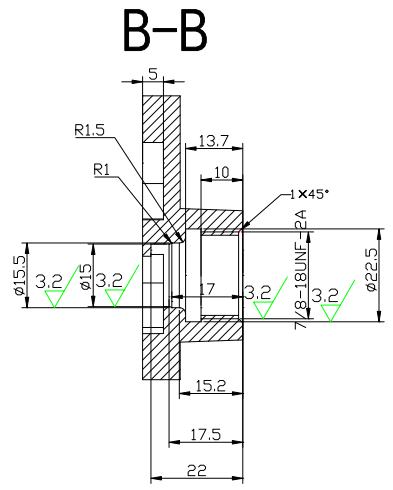
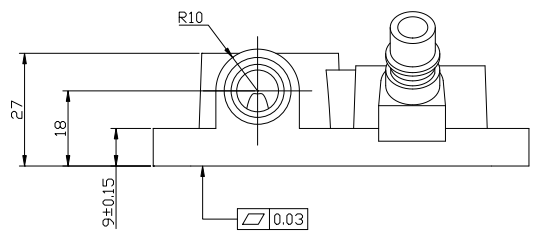
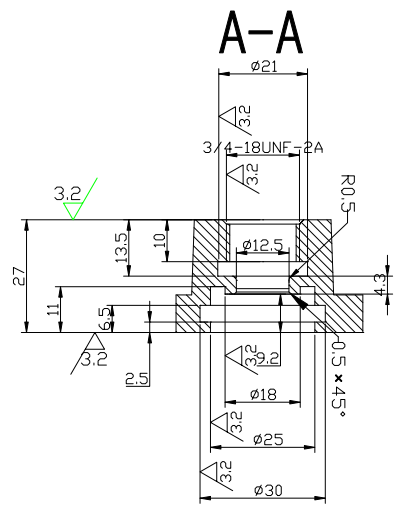


其余 $\sqrt{3.2}$



△			MATERIAL	PART NO.	NAME
△				SCALE 1:1	
△			DESIGNED BY	DATE	MODEL
△			CHECKED BY	DATE	
NO.	REVISION RECORD	BY	DATE	APPROVED BY	DATE
					DRAWING NO. RE69715-1