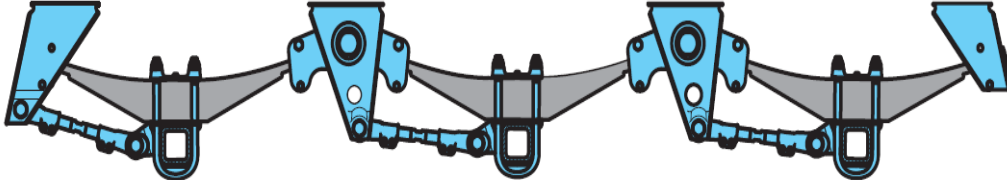
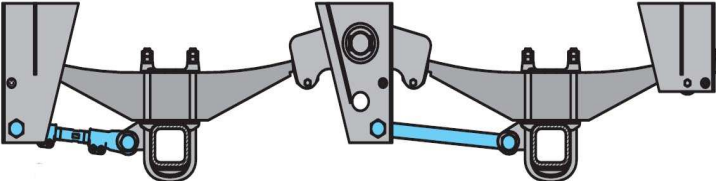
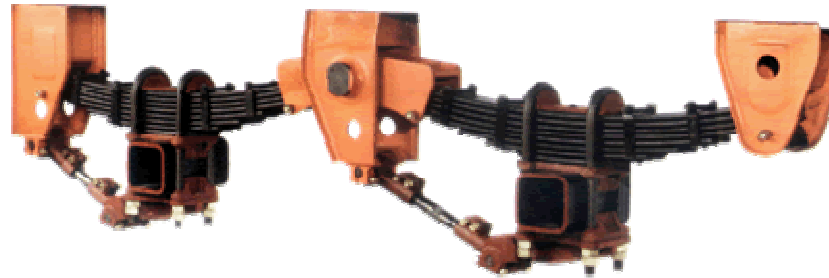


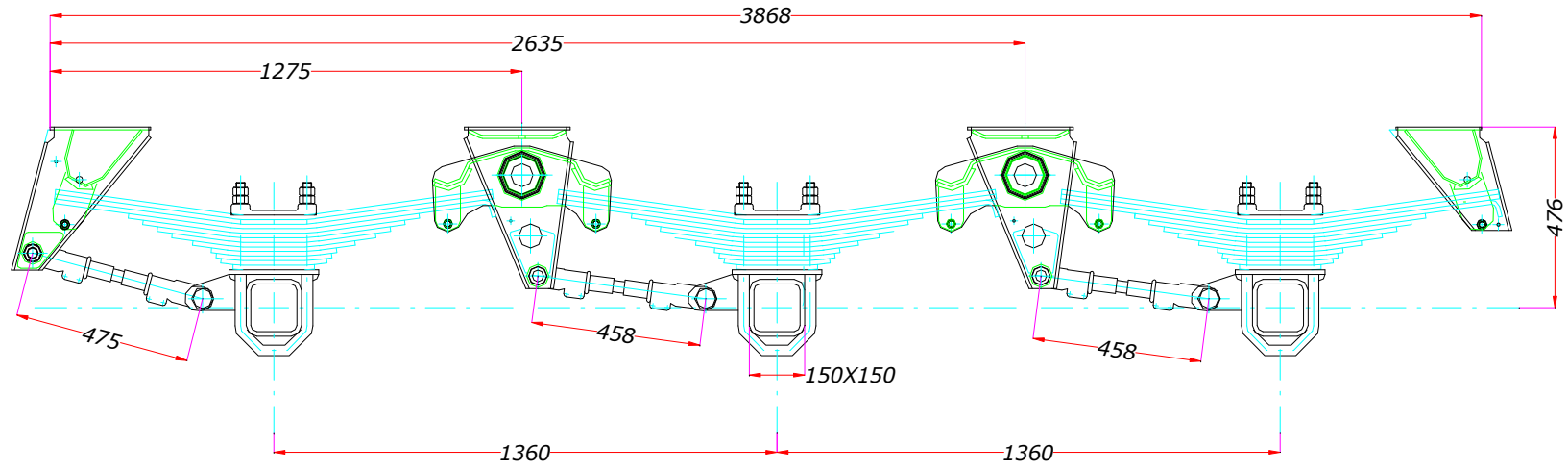
3. Mechanical suspension :







SUSPENSION 3X12TONNES 12LAMES 100X12



SUSPENSION 2X12TONNES 12LAMES 100X12

