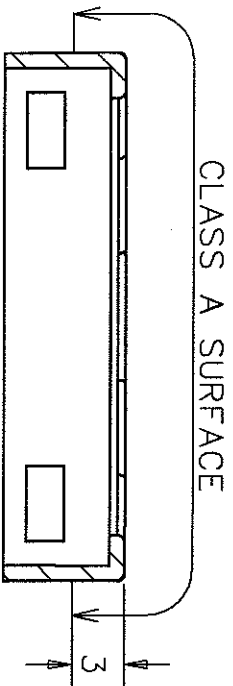
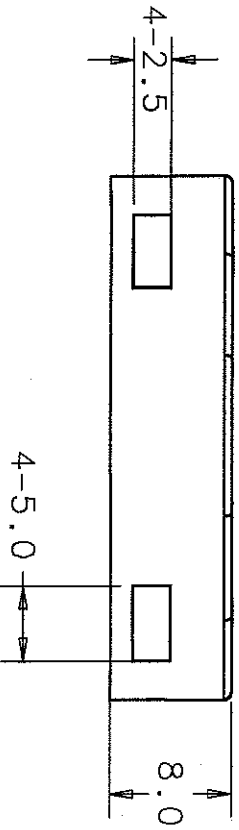
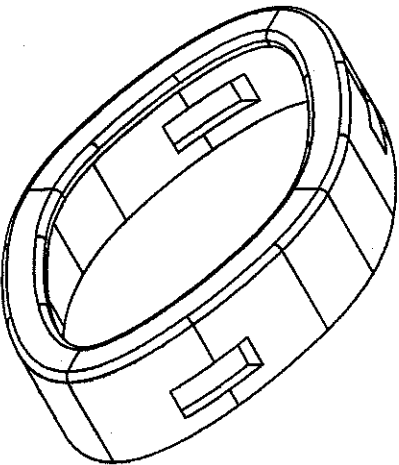
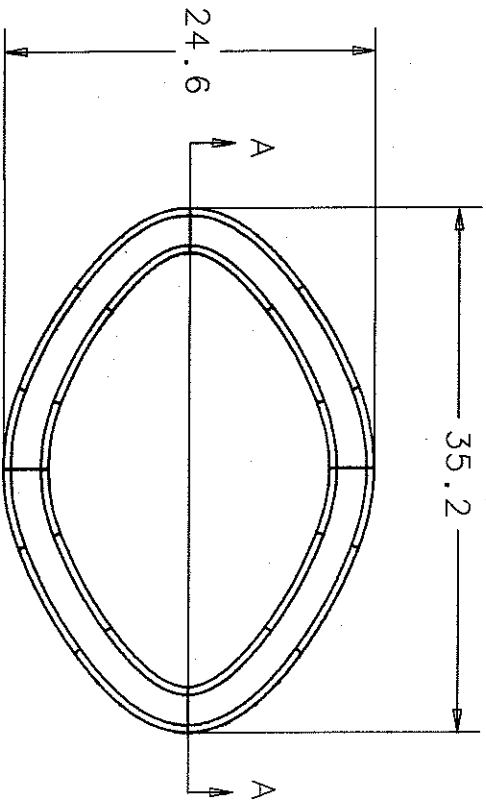


COMPONENT : BEZEL

NOTES:
MATERIAL : ABS+PC
CHROME PLATING SPEC: WSS-M1P83-C1 (FORD SPEC.)
CHROME PLATING CAN BE LIMITED TO THE
CLASS A SURFACE IF COST IS LESS.



SECTION A-A

SCALE 2:1